

Delicatessen Serve-Over Counters



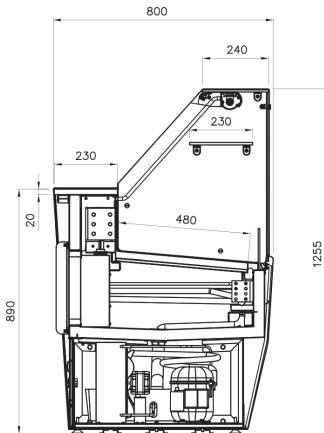
Pronto Slimline



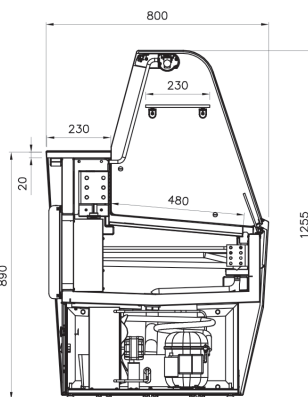
FG148



CG148



Flat Glass



Curved Glass

KEY FEATURES

- Only 800mm deep to fit through most standard doorways
- Intermediate ambient glass shelf
- Specially designed grill ensures perfect ventilation for condenser which allows the cabinet to be built-in or placed next to an existing feature
- Stainless Steel deck
- Digital controller

EXTRA SPEC DETAILS

- Power Required – 13 amp
- Type of Defrost – Timed off cycle
- Refrigerant – R290
- Refrigeration System – Static cooling, fan cooled condenser
- Exterior Finish – Painted White / Side Panels ABS
- Internal Finish – Stainless Steel
- Maximum Ambient - 25°C / 60% RH
- Standard colour of front panel is White
- Rear Sliding Acrylic Doors (Factory Fit)

OPTIONAL EXTRAS

- Optional factory fit colours for front panels:



Orange Burgundy Green Blue Grey

- Stainless Steel Stepped Deck
- Stainless Steel Grids
- Product Dividers
- Castors (Factory Fit)
- Cash Till Support Case



Model	Dimensions (wxdxh) mm	Glass	Weight Kg	Temperature	Rear Doors	Display Surface	Electrical Consumption Watts	See Price List
PRONTO FG 98	980 x 800 x 1255	Flat	85	+2 / +4°C	1	0.63m ²	502?	
PRONTO FG 128	1280 x 800 x 1255	Flat	95	+2 / +4°C	1	0.84m ²	520?	
PRONTO FG 148	1480 x 800 x 1255	Flat	130	+2 / +4°C	2	0.98m ²	520?	
PRONTO FG 188	1880 x 800 x 1255	Flat	177	+2 / +4°C	2	1.26m ²	706?	
PRONTO FG 248	2480 x 800 x 1255	Flat	220	+2 / +4°C	3	1.63m ²	724?	
PRONTO CG 98	980 x 800 x 1255	Curved	90	+2 / +4°C	1	0.63m ²	502?	
PRONTO CG 128	1280 x 800 x 1255	Curved	100	+2 / +4°C	1	0.84m ²	520?	
PRONTO CG 148	1480 x 800 x 1255	Curved	135	+2 / +4°C	2	0.98m ²	520?	
PRONTO CG 188	1880 x 800 x 1255	Curved	182	+2 / +4°C	2	1.26m ²	706?	
PRONTO CG 248	2480 x 800 x 1255	Curved	225	+2 / +4°C	3	1.63m ²	724?	